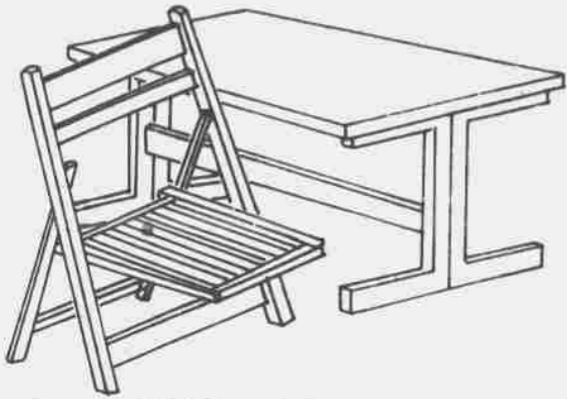


**TABLE -N- CHAIRS
TO GO...**



Four-slat wood folding chairs -n- table that folds. Made of beachwood with a butcher block formica top in natural only. Available by Special Order, 3 week delivery.

Introductory Price **\$249.00** Reg. \$359.00

WICKER WORLD Mon.-Sat. 10-6
1825 'O' St. • 475-1378 Sun. 12-5

Regents' bylaw...

Continued from Page 1

In other action, the senate elected John Scholz, professor of chemistry, as a new senator replacing Earl Barnawell associate professor of life sciences who resigned to go on leave.

Each senate committee presented a report on its activities. The commencement committee agreed to try and recruit additional teachers to attend the fall, spring and summer commencement exercises.

The Salary Study Committee presented a report comparing UNL to 50 NCAA institutions. Larry Walklin, president of the Faculty Senate said there is no

comparison to schools in the Big Eight.

"We are in much poorer position with our realistic peers than with our athletic conference," Walklin said.

The Senate also approved a motion changing senator's terms from January through December to May through April.

Also at the meeting the James A. Lake Academic Freedom award was presented to chemistry professor Desmond Wheeler. This award is given to those who preserve academic freedom. It was first presented in the fall of 1980.

Regents trim residency requirement

Because of a change in residency requirements by the NU Board of Regents, foreign students who qualify as permanent resident aliens will achieve residency status after a minimum of 180 days in Nebraska, according to Alan Cerveny, UNL assistant director of admission and advising.

Previously, students were required to reside in Nebraska for at least two years before residency was

granted.

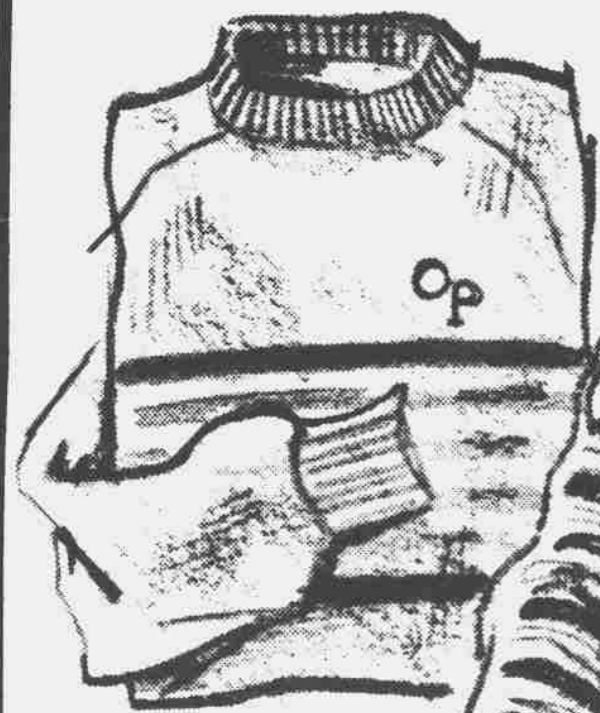
At their meeting last Friday regents amended university regulations to comply with Nebraska state law.

Another major reason for the residency requirement change is a 1982 Supreme Court case involving a Maryland university. The school's residency regulations for foreign students were challenged as unconstitutional, John Wiltse, UNL assistant general counsel, said.

According to Wiltse, if the student is a resident alien, he or she can qualify for residency under university regulations. But if the person has only a student visa, he or she is not eligible for university residency status.

The office of International Educational Services reports that approximately 950 non-resident foreign students are enrolled at UNL this semester. These students pay non-resident tuition and fees.

Magee's
LINCOLN CENTER LINCOLN GATEWAY OMAHA WESTROADS HASTINGS DOWNTOWN



Ocean Pacific Sportswear from Magee's

Ocean Pacific... long lasting, durable sportswear in a popular design... because there is a need.

Op Long Sleeved Pull-over Shirts easy care poly/cotton in engineered stripes and screened prints. \$24 to \$28

Op Corduroy Pants in a washable poly/cotton blend. Elastic back in grey, cream, camel, royal and red. 27.50

Op Sweaters are a washable acrylic in raised stripe designs and panel effects. Crew neck and v-neck styles. \$45

DOWNTOWN SKYWALK LEVEL GATEWAY WHERE IT'S AT SHOP



The easiest \$700 you ever earned.

We'll pay you up to \$700 simply for helping us evaluate pharmaceuticals.

- Fully explained studies
- Medically supervised
- Free physical

To qualify, you must be a healthy male at least 19 years old.

Call 474-0627 weekdays to find out how easy it is to earn up to \$700 for a few weekends' work.

HARRIS LABORATORIES, INC.
624 Peach Street
Lincoln, Nebraska 68502

48 years' experience in medical research

HELP!

- * When courses you need aren't there when you need them
 - * When flexibility is important
 - * When classes and work times conflict
- and

You feel like you're at the bottom of a well

Independent Study can help.

For information, visit the UNL Division of Continuing Studies Independent Study Department, room 269 Nebraska Center for Continuing Education, 33rd and Holdrege. Over 100 courses to choose from. Take the shuttle bus from city campus. Or call 472-1926.



UNL does not discriminate in its academic, admissions or employment programs, and abides by all federal regulations pertaining to same.